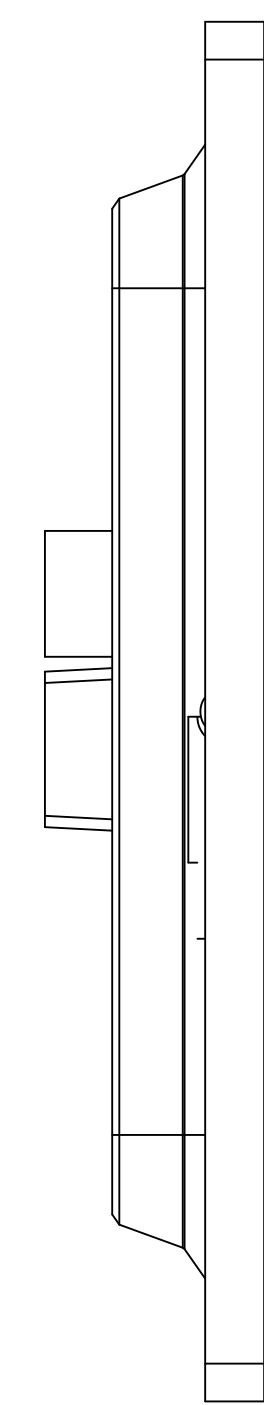
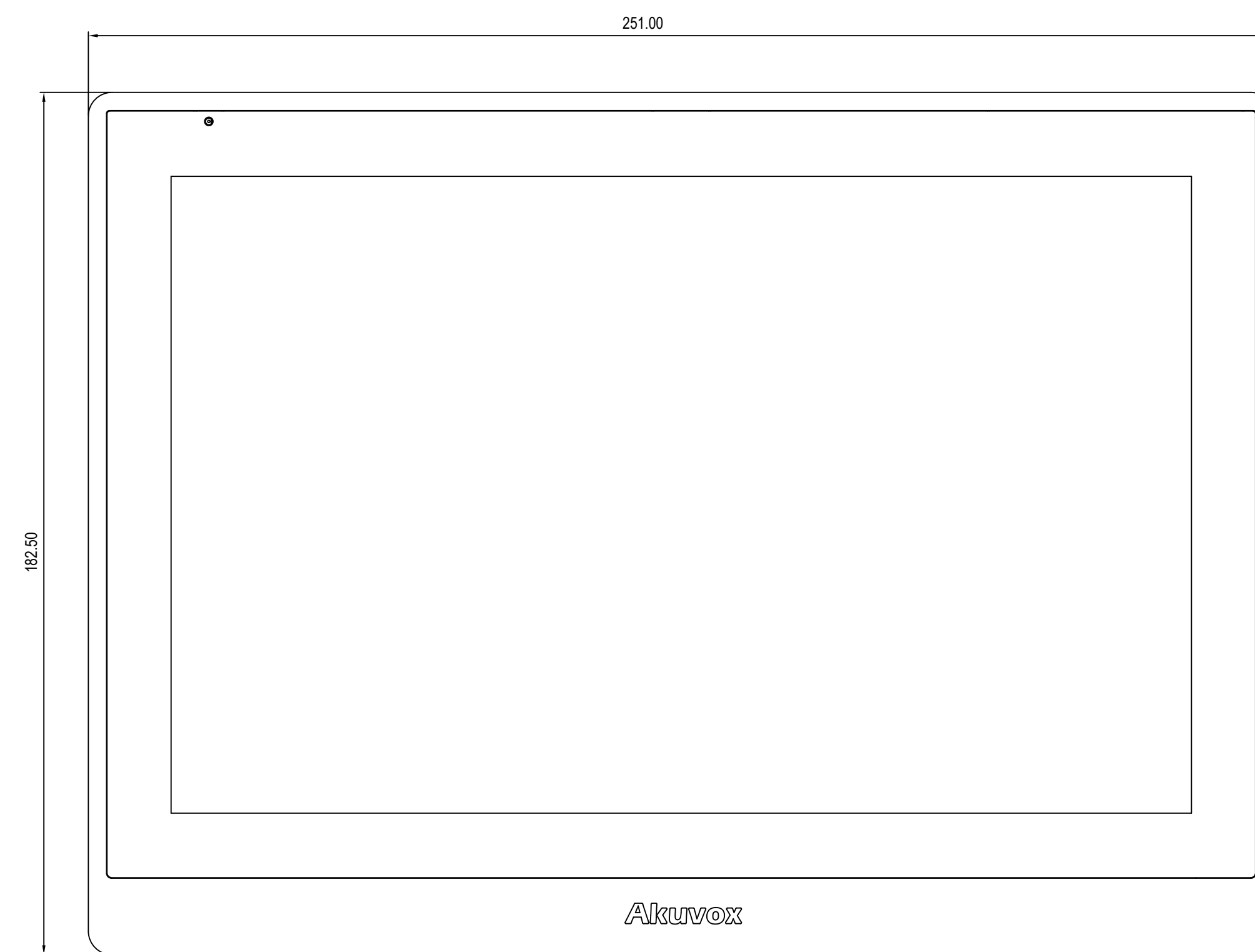


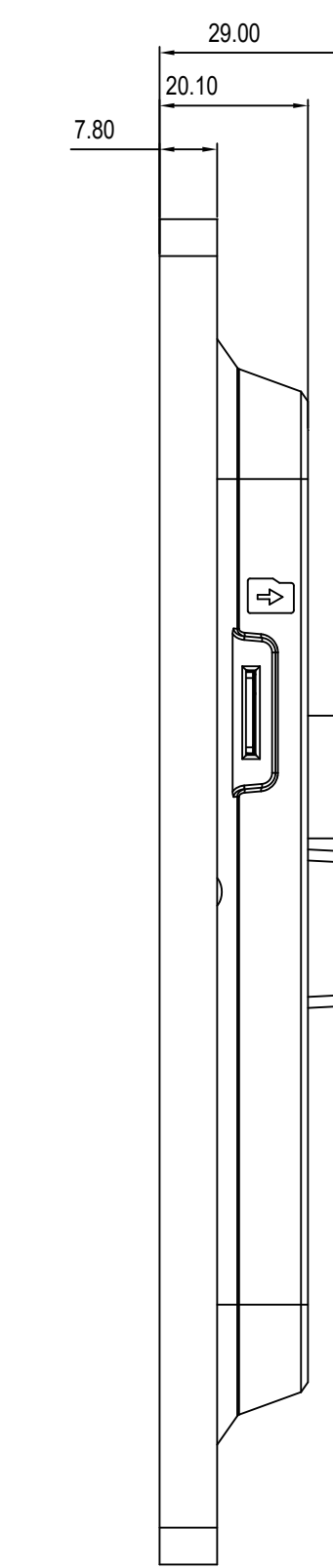
5 TOP VIEW



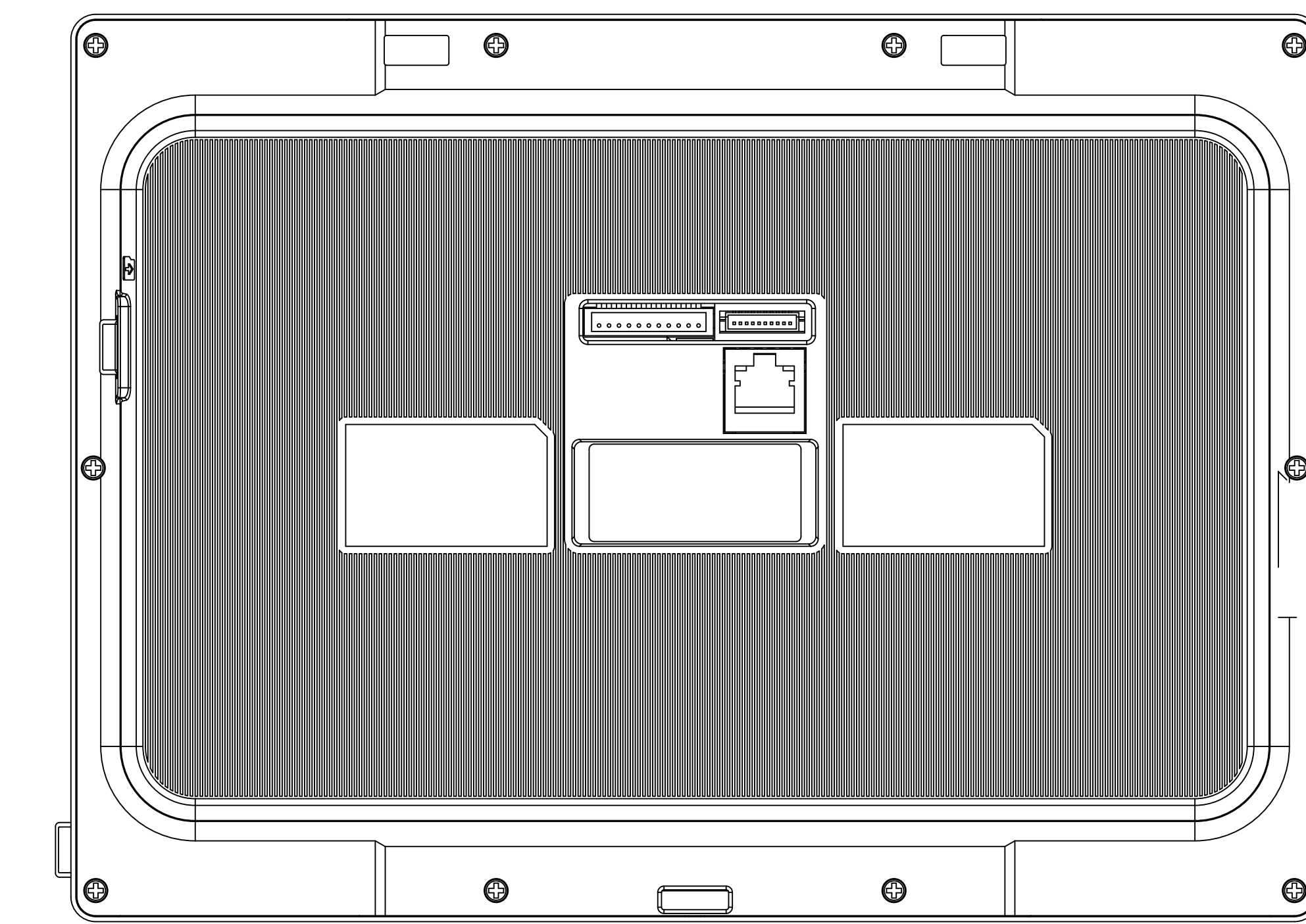
2 RIGHT VIEW



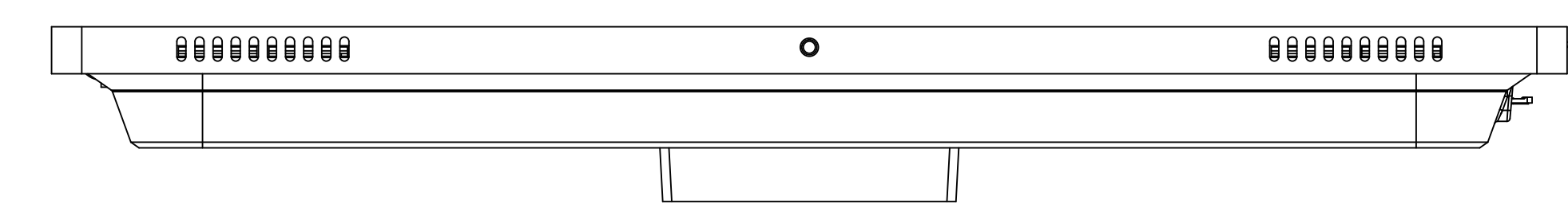
1 FRONT VIEW



3 LEFT VIEW



4 BACK VIEW



6 BOTTOM VIEW

Applicable Model
IT88S

Drawing Title
Wall Mounting Bracket

Drawing Unit
mm

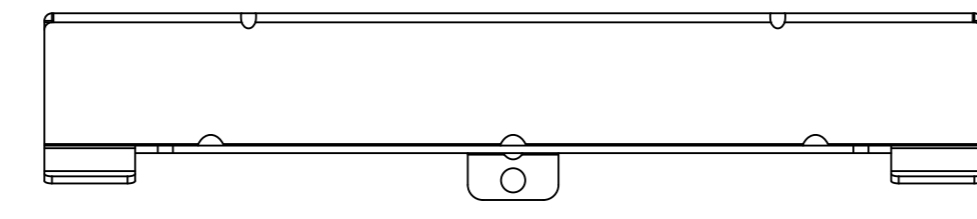
Drawing Scale
Not to scale

**DRAFT
CHANGE TO
SUBJECT**

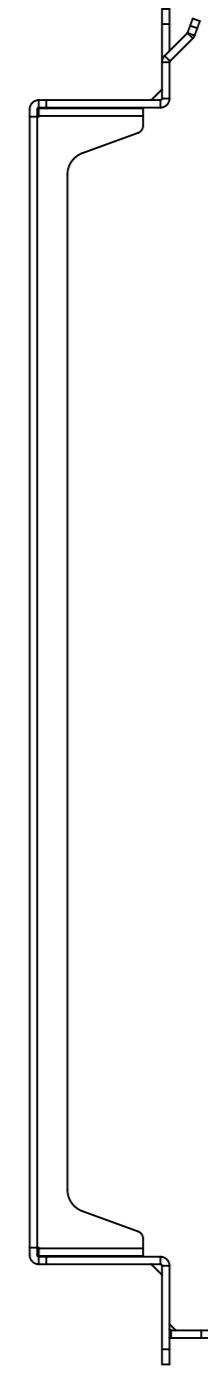
Last Revised
Jul 05,2022

Drawing Version
V1.0

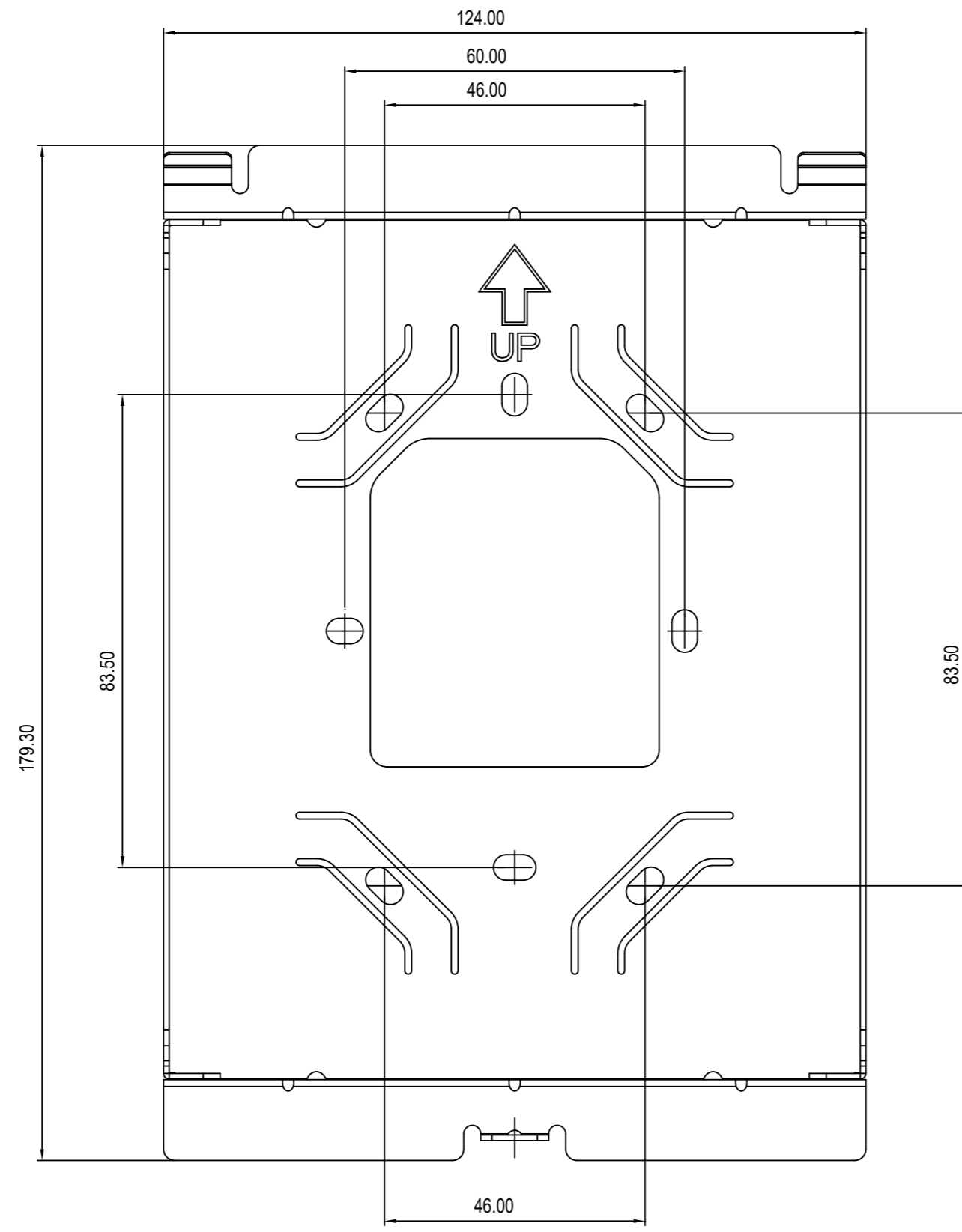
Page
2of 4



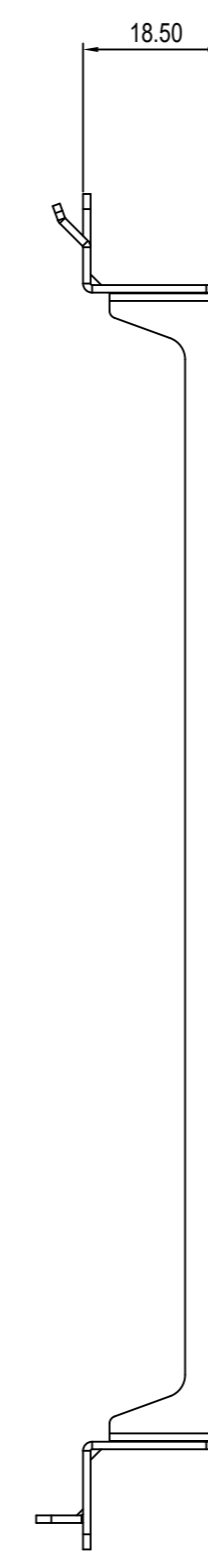
5 TOP VIEW



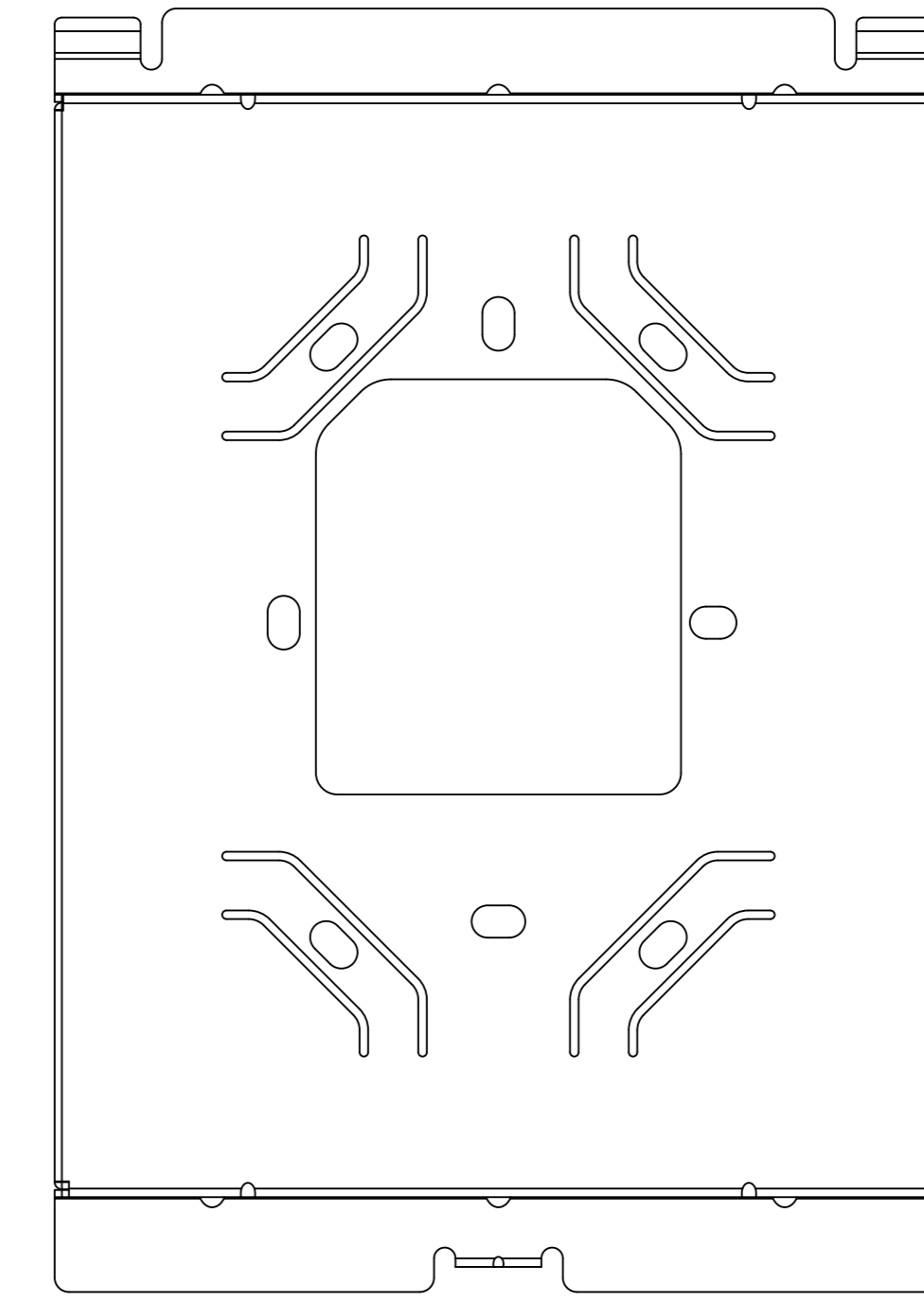
2 RIGHT VIEW



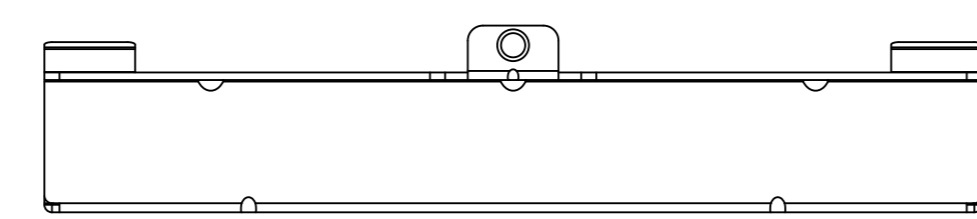
1 FRONT VIEW



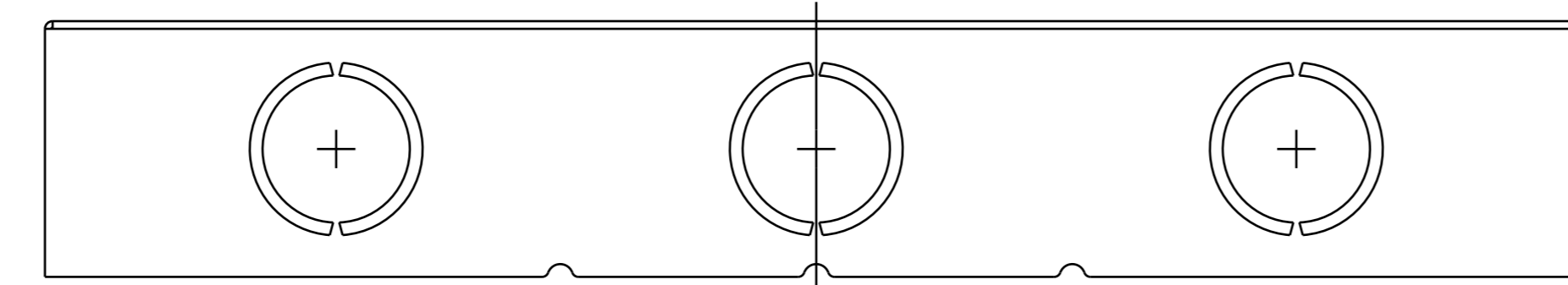
3 LEFT VIEW



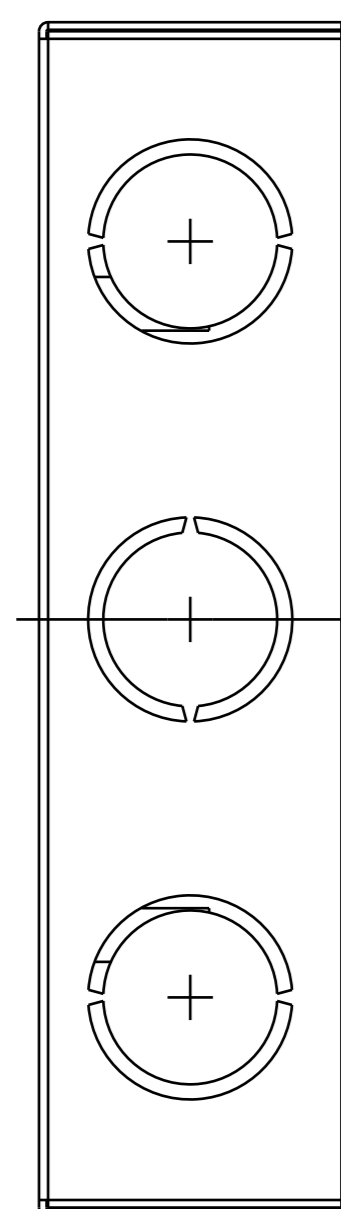
4 BACK VIEW



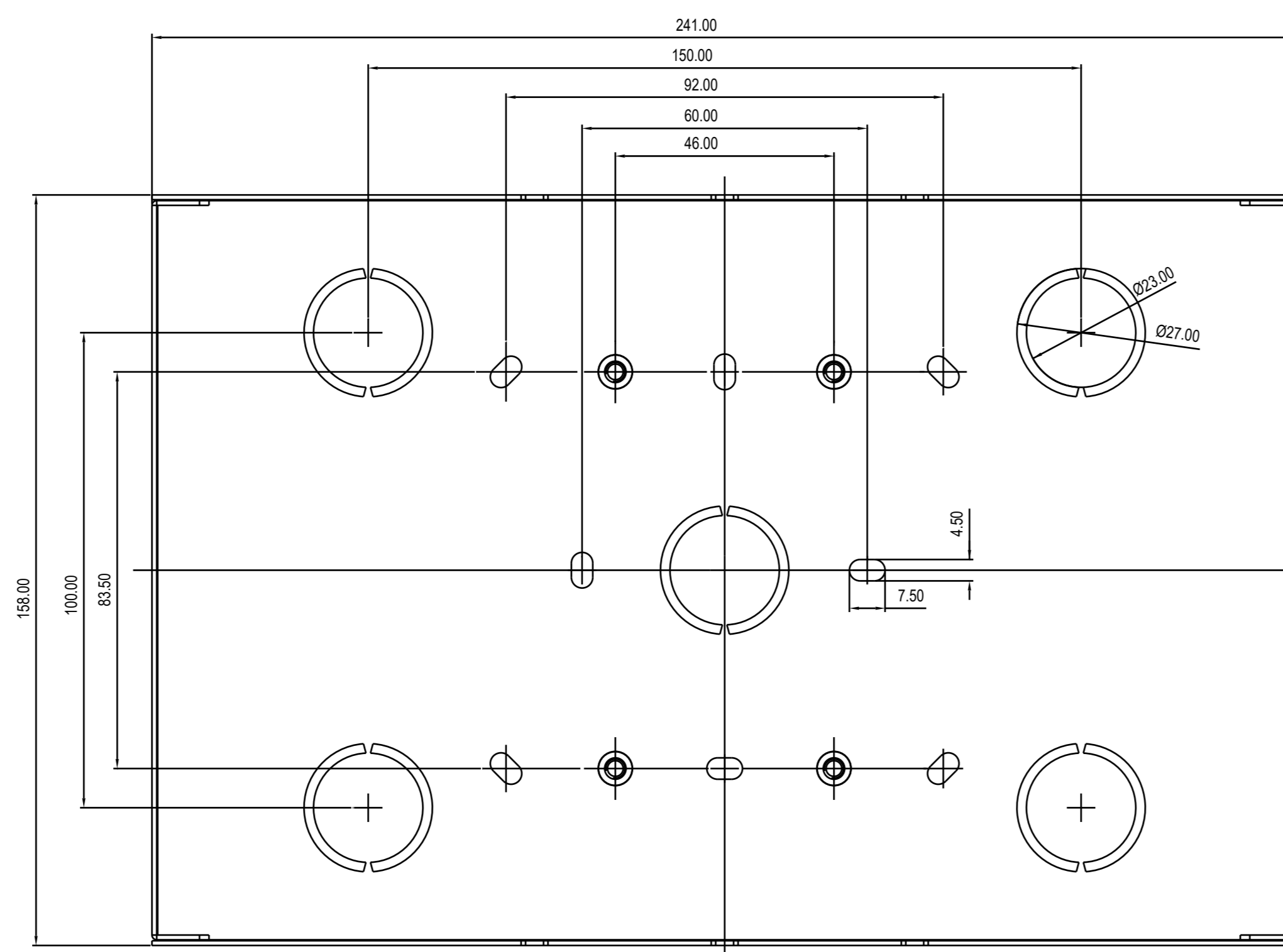
6 BOTTOM VIEW



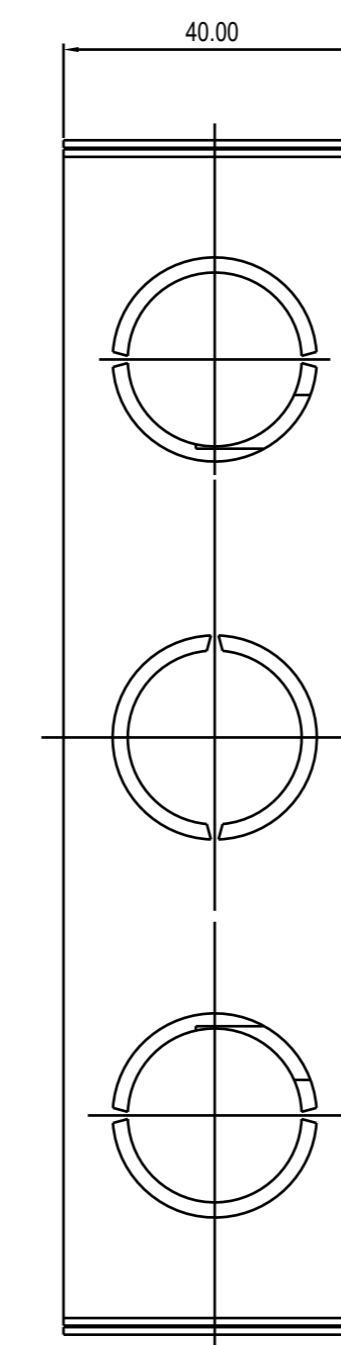
5 TOP VIEW



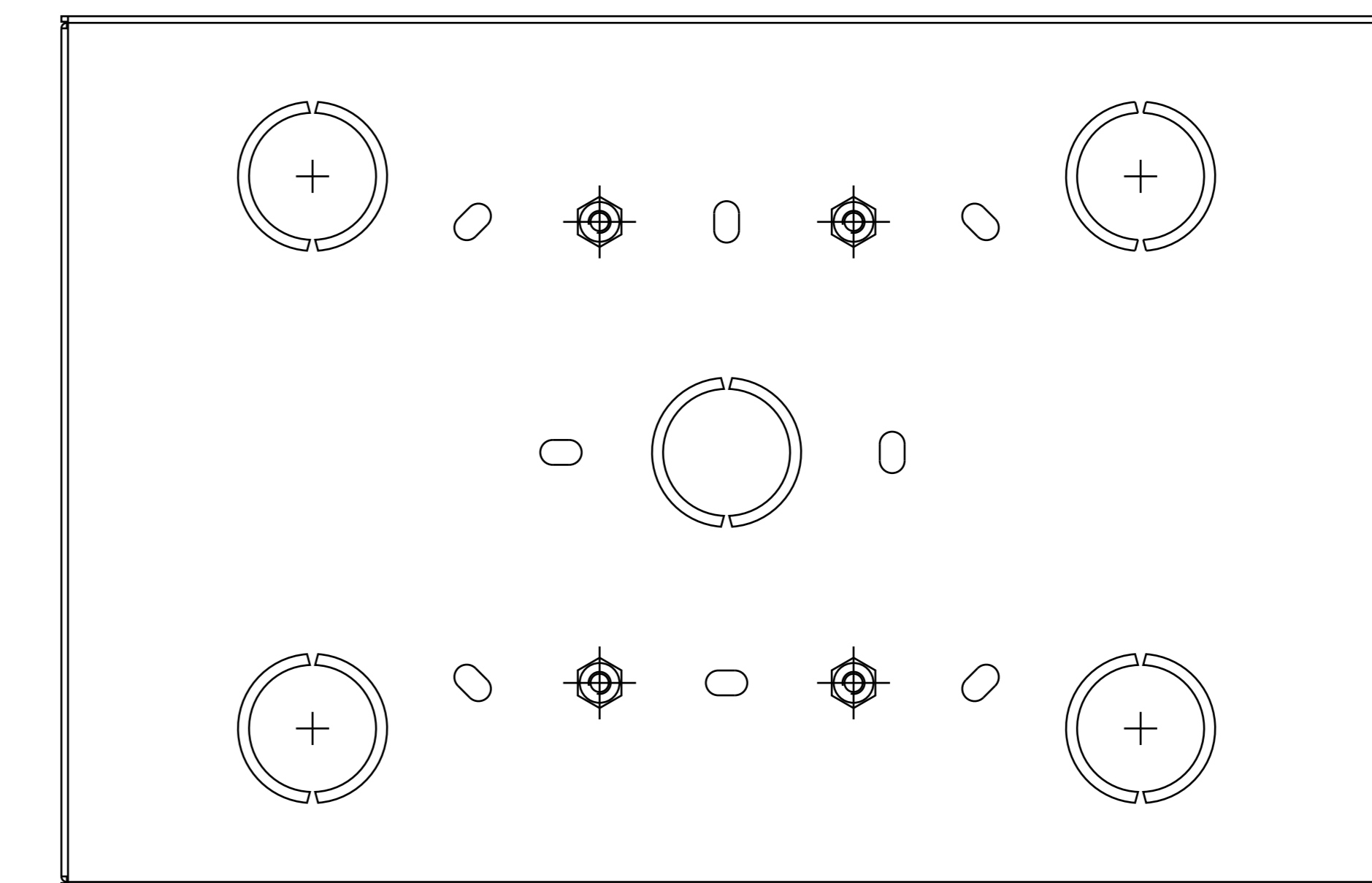
2 RIGHT VIEW



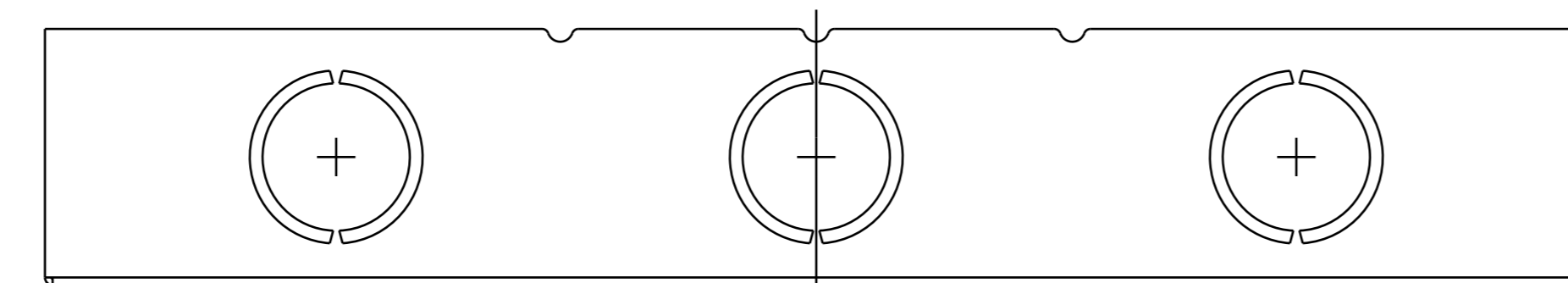
1 FRONT VIEW



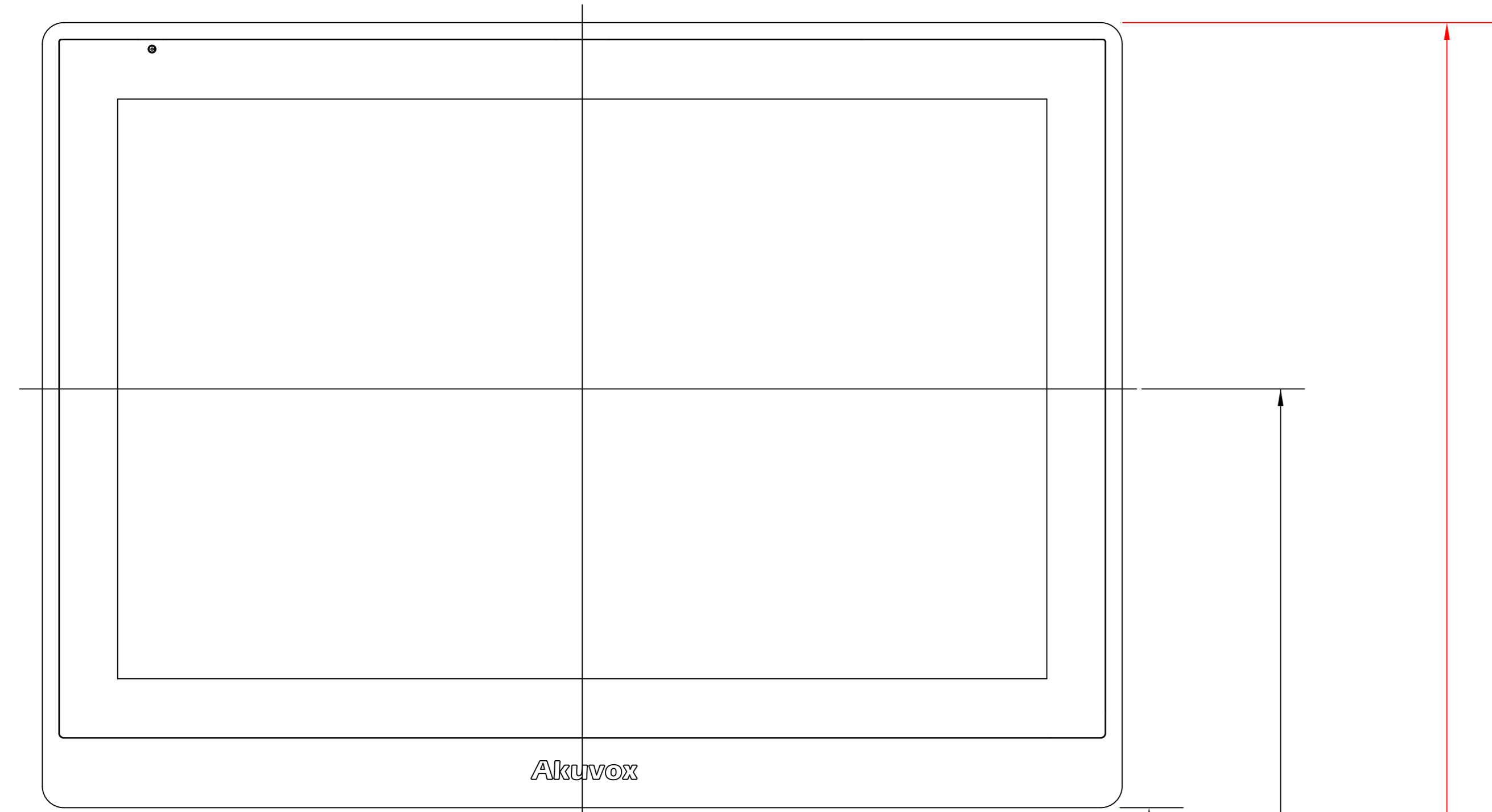
3 LEFT VIEW



4 BACK VIEW



6 BOTTOM VIEW



① INDOOR MONITOR FRONT VIEW

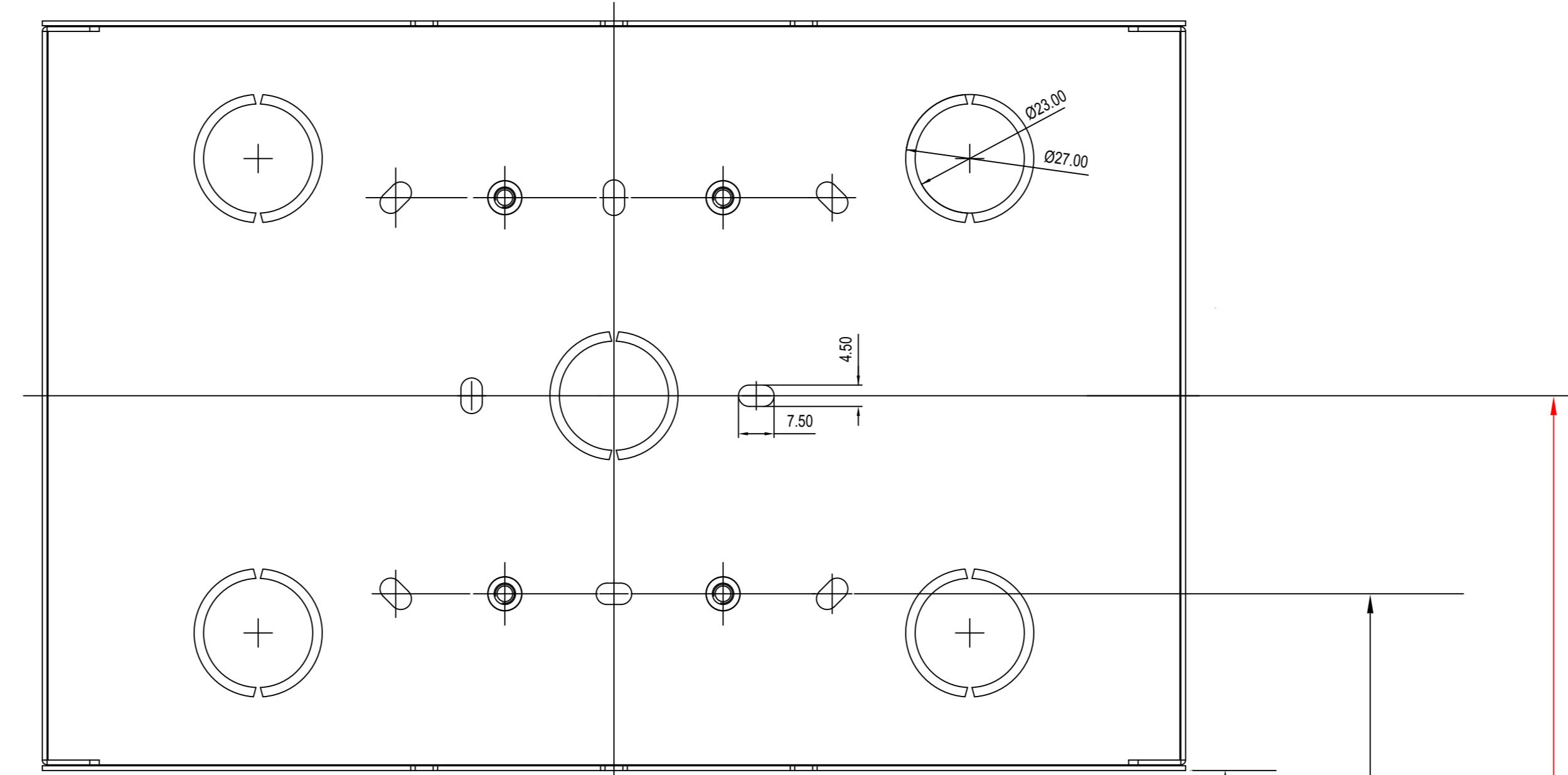
1003.0mm TO BOTTOM OF PANEL

1100.0mm TO CENTER OF USABLE TOUCHSCREEN

1285.5mm MAX TO TOP OF PANEL

ADA Compliance Requirement

GROUND



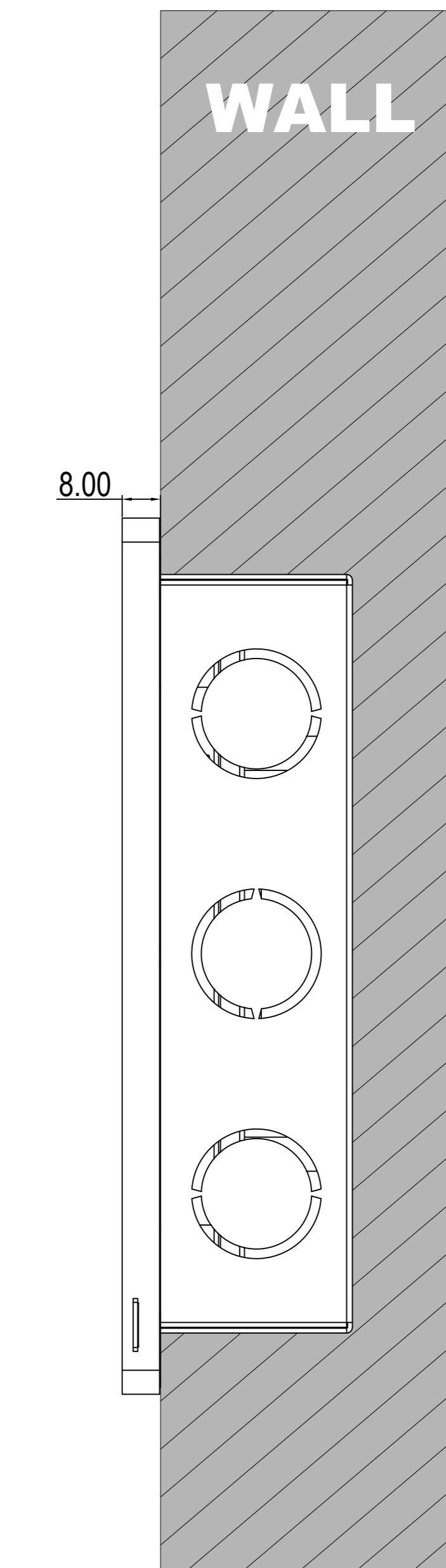
② FRONT VIEW: FLUSHING MOUNTING BOX PLACEMENT

1016.0mm TO BOTTOM OF FLUSHING MOUNTING BOX

1053.25mm TO SCREW HOLE CENTER OF FLUSHING MOUNTING BOX

1095.0mm MAX TO CENTER OF FLUSHING MOUNTING BOX

地面



③ SIDE VIEW: INDOOR MONITOR IN WALL